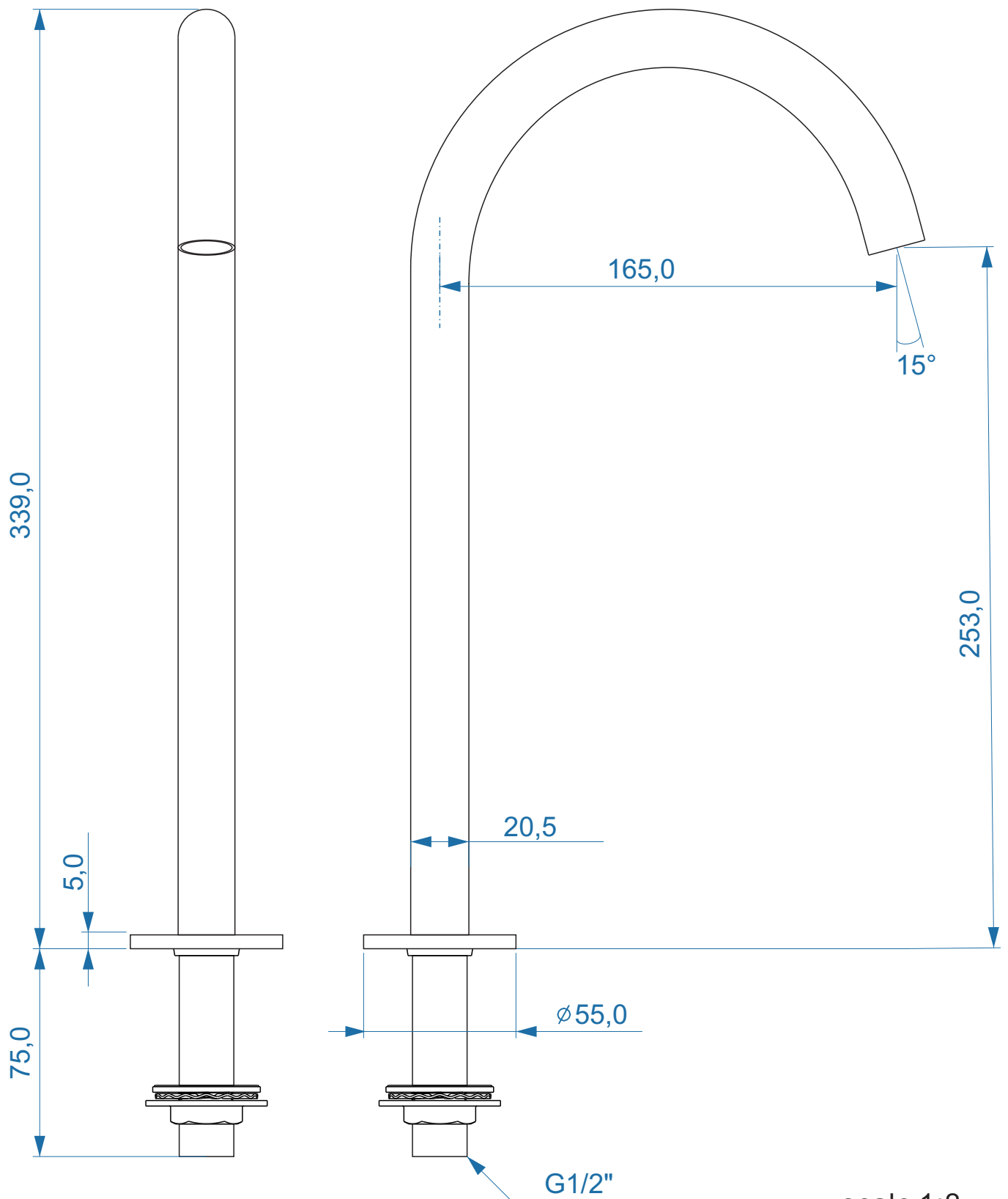


1791_35 - Table spout - Dimension

Requirements:

- Aerator integrated 6 l/min.
- Extra aerator full flow + wrench as spare in the box.



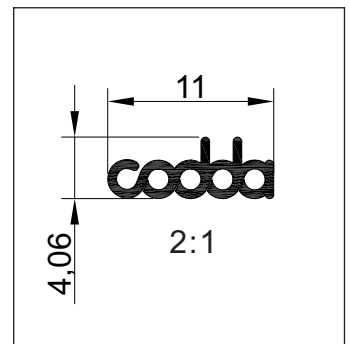
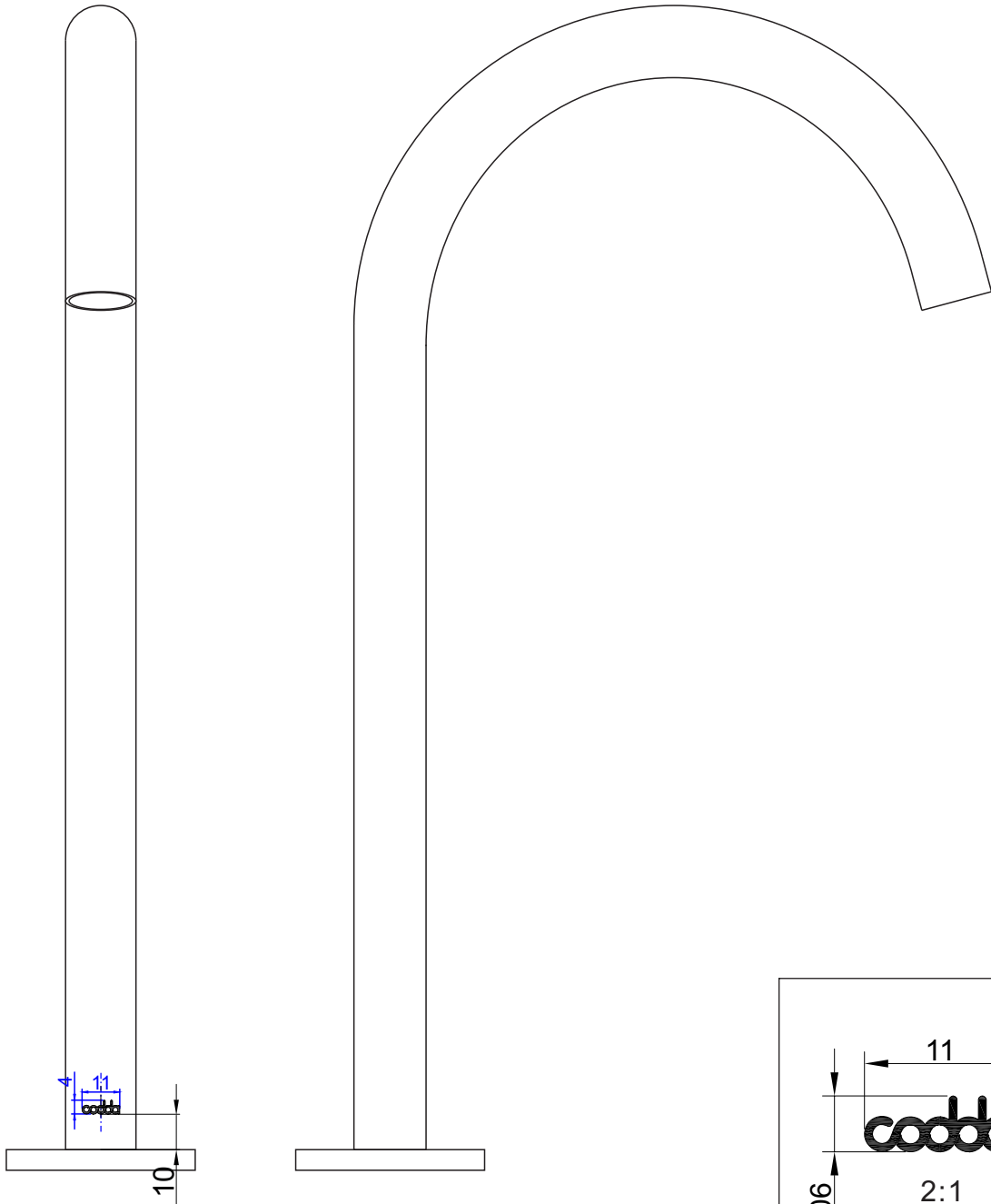
codba

scale 1:2

■ Unit: millimeters

1791_35 - Table spout - Logo position

Requirements:
- Laser printed



codba

scale 1:2

■ Unit: millimeters