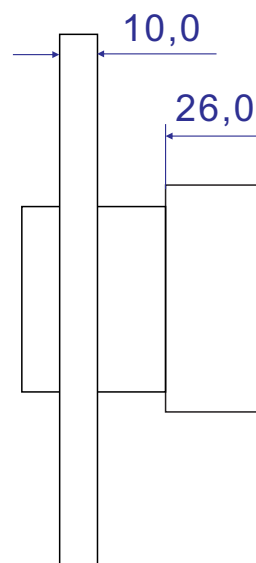
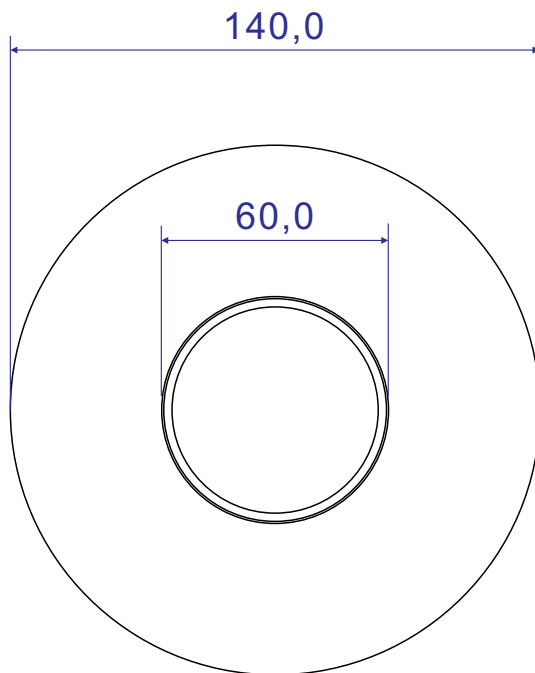
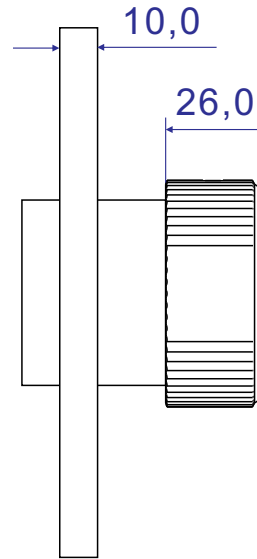
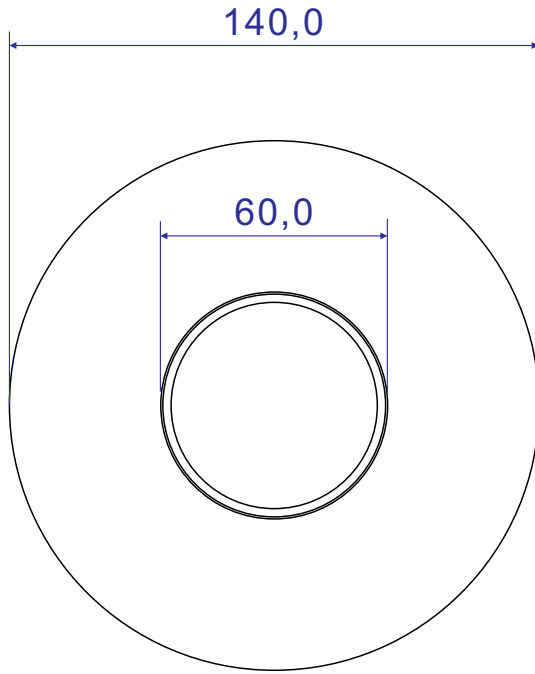


4993_35 - Shower valve trim/ smooth handle - Dimension

4993_35 LN - Shower valve trim/ Linear handle - Dimension

Requirements:

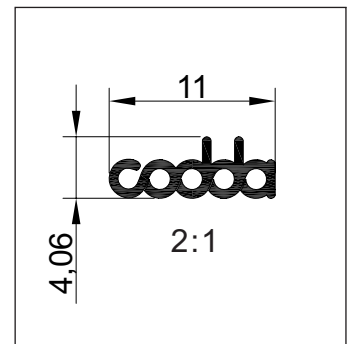
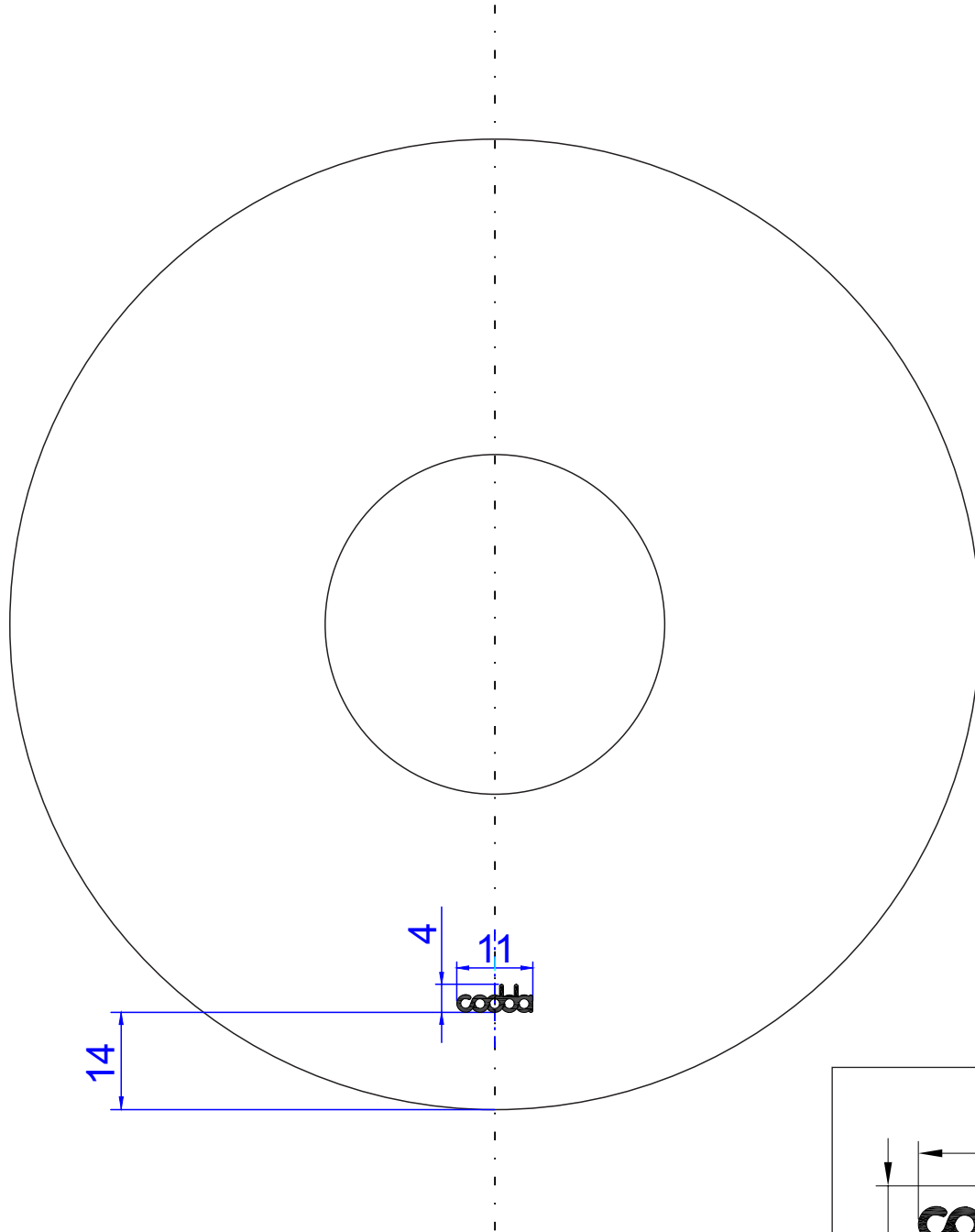
- For codda shower valve 4493 X MONO.



4993_35 - Shower valve trim/ smooth handle - Logo position

4993_35 LN - Shower valve trim/ Linear handle - Logo position

Requirements:
- Laser printed.



codba

scale 1:1

■ Unit: millimeters