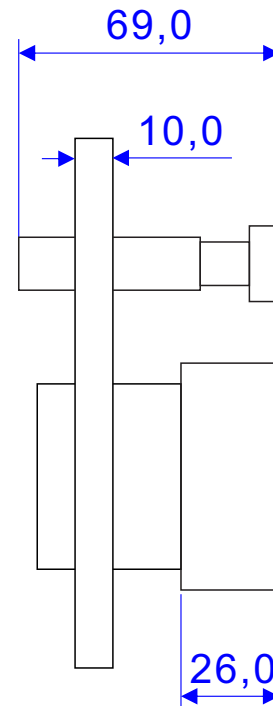
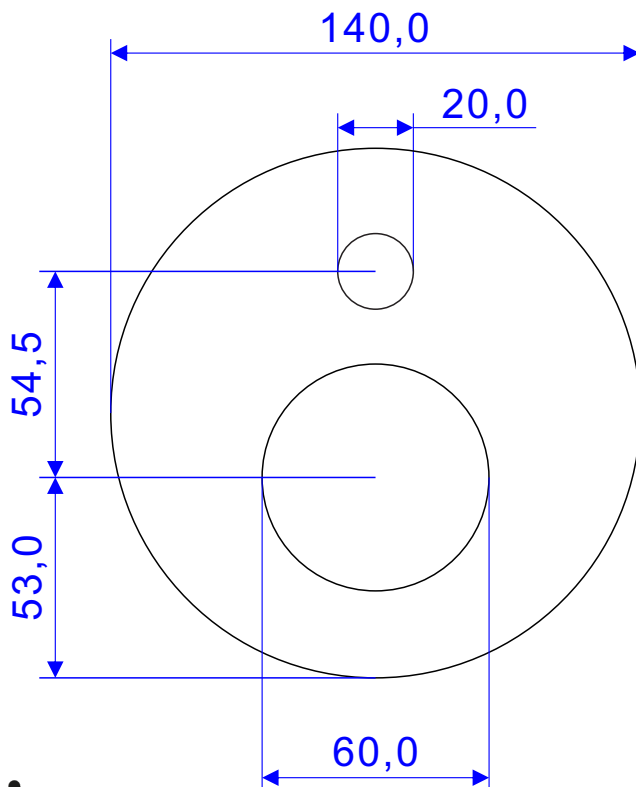
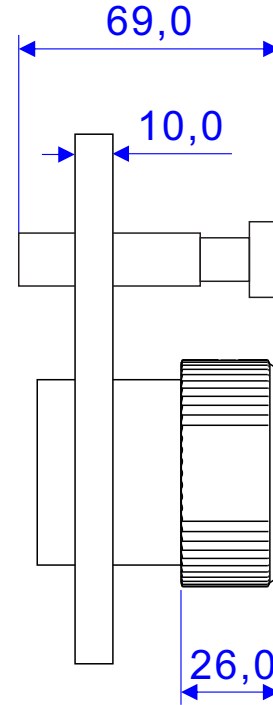
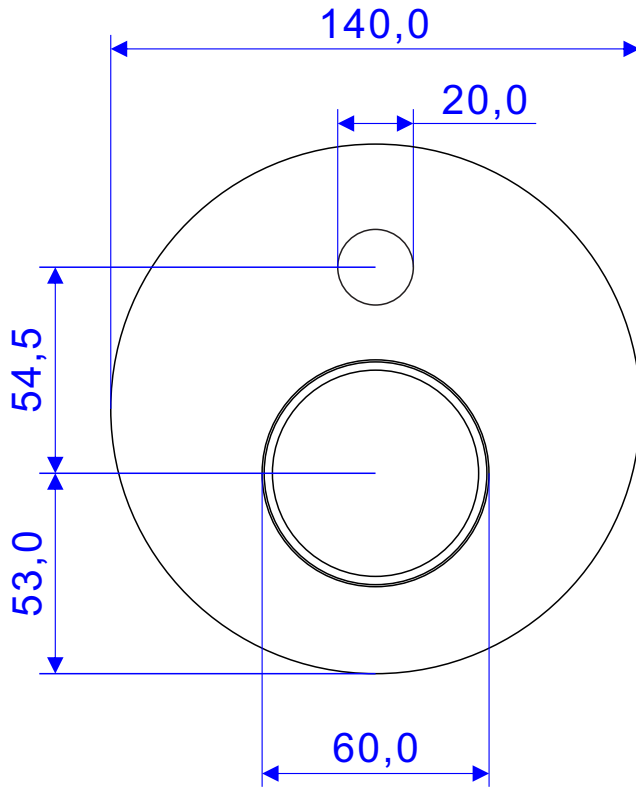


**4994\_35 - 4 way shower valve trim/ smooth handle - Dimension**

**4994\_35 LN - 4 way shower valve trim/ Linear handle - Dimension**

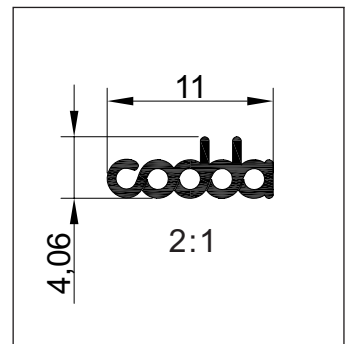
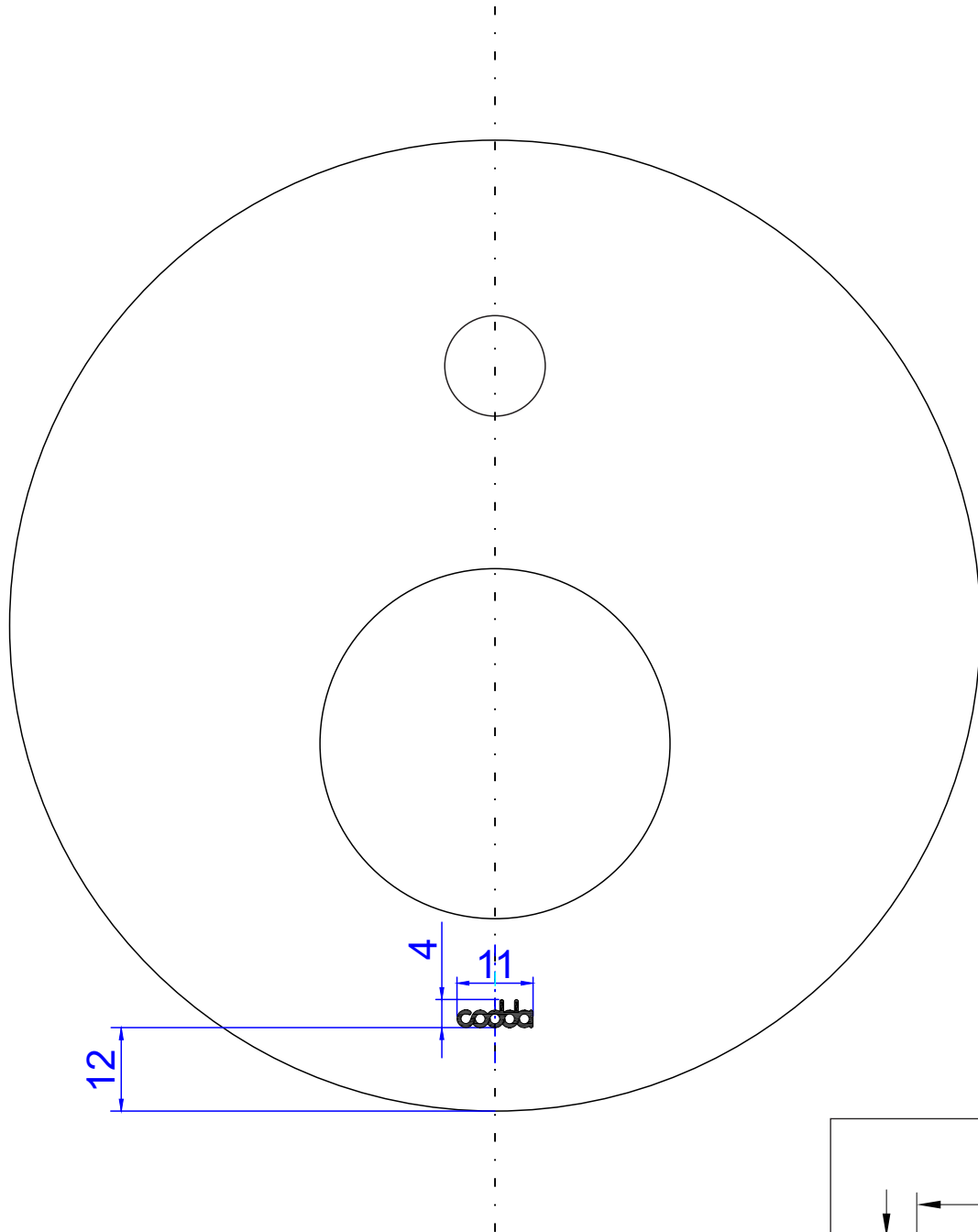
Requirements:

- For codda shower valve 4494 X MONO.



# SCT4994\_35 - 4 way shower valve trim less handle - Logo position

Requirements:  
- Laser printed.



**codba**

scale 1:1

■ Unit: millimeters